

DATASHEET

563

Cable Connector

Product Overview

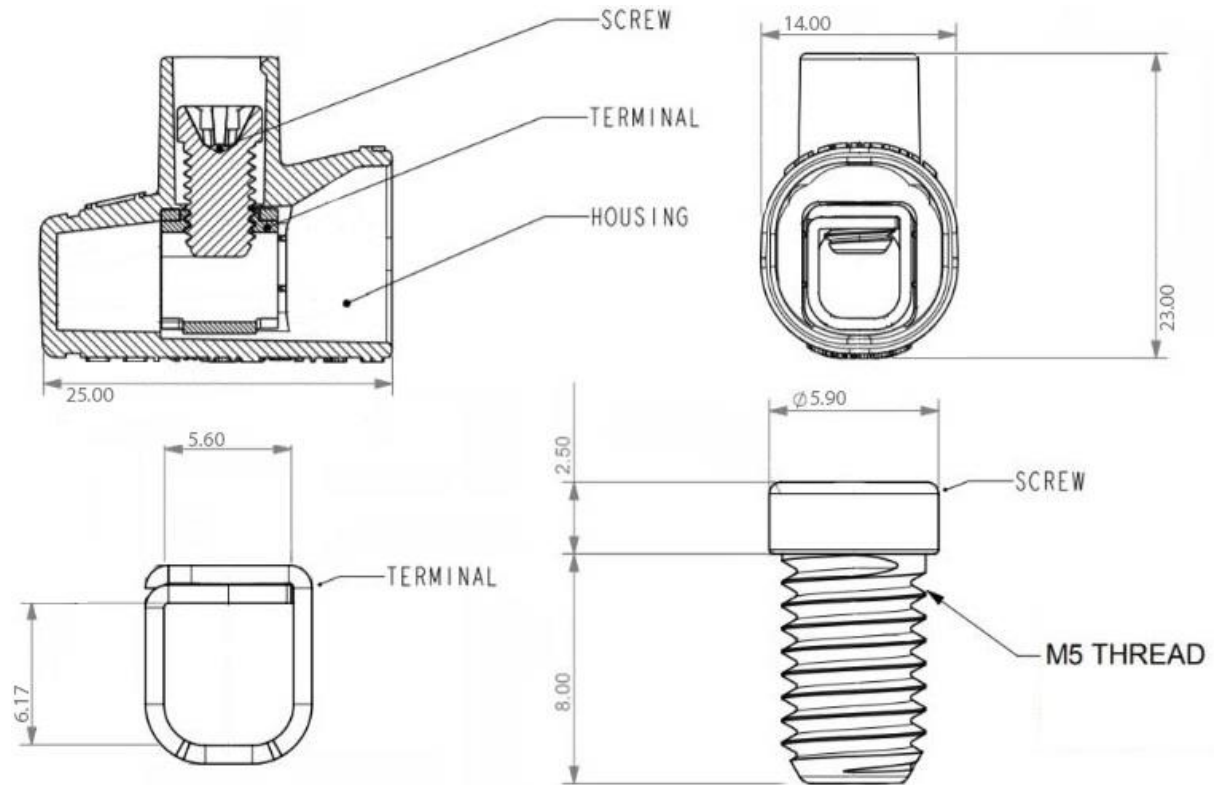
Clipsal cable are suitable to use with either Earth, Active or Neutral conductors as they are fully compliant with AS/NZS3000:2007 as per clause (d) from sub-section 2.9.4. for active, neutral and earth connections. Also, Clipsal connectors are made of PP material which makes them suitable to be used in the construction and operation of sustainable buildings and fit outs (Green Building Council Australia). This material also makes the connectors more flexible and therefore, easier on your fingers and easier to fit into tight J-Boxes.



Specifications

Part Number	563B/100, 563J/50
Rated Current	40 A
Rated Voltage	500V, 50Hz
Overall size H x W x D	14mm(H) x 25mm(W) x 23mm(D)
Rated Temperature	-10°C to 40°C
Max. Cable Conductor	3 x 6mm ² or 4 x 2.5mm ² Cables
Screw Type	No. 2 Philips or 563J/50 a No. 1 Square
Screw Detail	M5 8mm in Length
Material	Brass Terminal, Zinc plated Steel Screw
Earth Compliant	AS/NZS 609982.1 (11.101) AS/NZS 3100 (5.3.3) AS/NZS 3000 (2.9.4.2, 3.7.2.11)
Environmental	PVC Free

Product Dimensions



Schneider Electric (Australia) Pty Ltd
Contact us: [Clipsal.com/feedback](https://clipsal.com/feedback)

National Customer Care Enquiries:
Tel 1300 2025 25 Fax 1300 2025 56
New Zealand National Customer Care Enquiries:
Tel 0800 652 999 Fax 0800 101 152

Schneider Electric (Australia) Pty Ltd reserves the right to change specifications, modify designs and discontinue items without incurring obligation and whilst every effort is made to ensure that descriptions, specifications and other information in this catalogue are correct, no warranty is given in respect thereof and the company shall not be liable for any error therein.