

Lighting

Big performance in a smaller,
slimmer package.

LED Floodlights

FLS Series



CLIPSAL[®]
by Schneider Electric

Schneider
Electric

The Clipsal brand is part of Schneider Electric.

The LED floodlight that punches above its weight.

Clipsal FLS Series LED Floodlights are designed to do everything the big boys do, but in a smaller, easier to work with package. Slim and unobtrusive, they are ideal for residential and commercial applications where appearance counts.

Long Life

LED technology has a significantly longer lifespan than traditional lamp sources. With an L70 rating of 36,000 hours, this means that Clipsal FLS Series LED Floodlights can last up to 10 times longer than older technologies.

Energy Efficiency

Clipsal LED Floodlights convert almost all of the energy they consume into visible light. This means the fixtures produce less heat and require less power to achieve the high lighting levels expected from floodlighting. Running costs are lowered and in turn, savings on electricity bills will increase.

Stylish and Modern

Perfect for residential and commercial installations, these floodlights have been designed to be stylish and practical. The discreet slimline design, allows for greater flexibility during installation. A 4000K colour light output allows for a more subtle, ambient effect.

Integral Driver

All LED floodlights are supplied with drivers built in.



Robust construction
Powder-coated die-cast aluminium construction to maintain IP65 rated casing.

High quality LED chip
36,000 hours lifespan.

Adjustable trunnion arm and stainless steel locking screws
Allows for easier and more accurate adjustment of the light throw.

Durable silicone gasket
Allows the fixture to maintain an IP65 rating after installation.



Stylish – modern design
Suitable for residential and light commercial applications.

Sealed, toughened visor
Provides added protection and optimum light output.

4000K colour light output

Specifications

- Available in 10W and 20W
- Lamp temperature 4000K
- 1200lm (20W) and 600lm (10W) output
- Die-cast aluminium construction with toughened glass front visor
- Integral driver
- Operating voltage 240V AC 50hz
- Adjustable trunnion arm
- IP65 rated housing
- Lifespan 36,000hrs
- Beam angle of 105°

Instant Brightness

Traditional lamp sources require a period of time to achieve maximum brightness. LED technology eliminates this by reaching maximum output as soon as they are turned on. Because there is also no re-strike delay, greater energy savings can be achieved, by combining them with a Clipsal motion or photoelectric sensor or timer, that can automatically switch floodlights on, only when required.

Robust Design

Clipsal FLS Series LED Floodlights have been designed to withstand the harsh and varied conditions experienced throughout Australia. As such, they are manufactured with a high-quality integral LED driver, powder coated die-cast aluminium weatherproof casing, and LEDs that are resistant to the shock and vibrations commonly experienced during transport and installation.



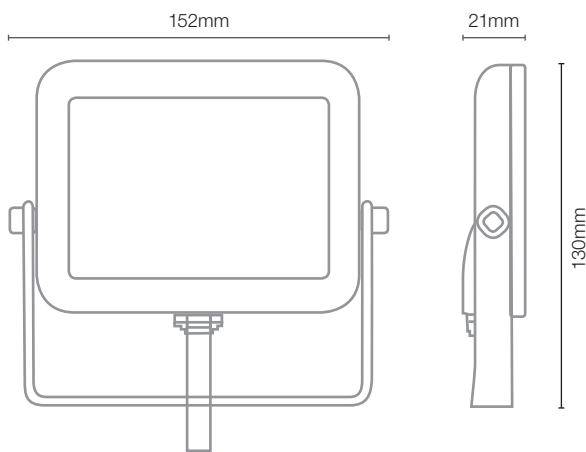
New, discreet slimline design.

FLS Series

	10W - FLS10LED	20W - FLS20LED
Input voltage	240V AC 50Hz	240V AC 50Hz
Lumens	>600lm	>1200lm
CRI	>80	>80
Beam Angle	105 degrees	105 degrees
Lifespan (L70)	36,000hrs	36,000hrs
CCT	4000K	4000K
LED Power	10W	20W
IP Rating	IP65	IP65
Weight	410g	890g

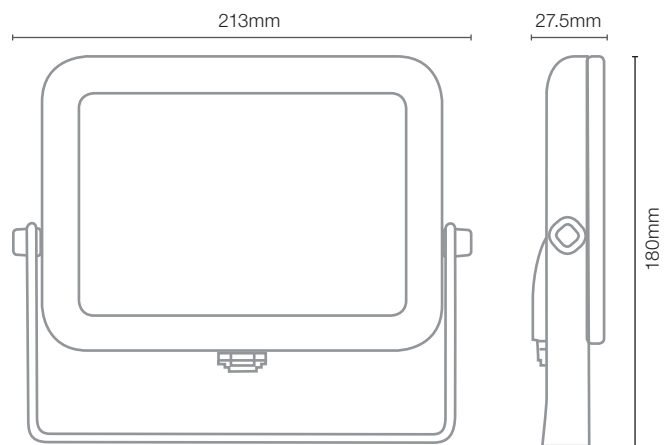
FLS10LED

Width = 152mm, Height = 130mm, Depth = 21mm



FLS20LED

Width = 213mm, Height = 180mm, Depth = 27.5mm



For more information about Clipsal Lighting Solutions, contact your local Clipsal and Schneider Electric Partner Business Representative, electrical wholesaler or visit clipsal.com

Schneider Electric (Australia) Pty Ltd

33-37 Port Wakefield Road
Gepps Cross
South Australia 5094
PO Box 132, Enfield Plaza
South Australia 5085

National Customer Care
Enquiries: 1300 2025 25
Email: plugin@clipsal.com.au
Access this document directly:
clipsal.com/brochures

Schneider Electric (Australia) Pty Ltd reserves the right to change specifications, modify designs and discontinue items without incurring obligation and whilst every effort is made to ensure that descriptions, specifications and other information in this catalogue are correct, no warranty is given in respect thereof and the company shall not be liable for any error therein.

Trademarks are owned by Schneider Electric Industries SAS or its affiliated companies.

This document has been printed using FSC Mix Certified paper. ISO 14001 environmental management system in use at mill.