

C-Bus®

CLIPSAL®

by Schneider Electric

C-Bus® C-Touch Spectrum Colour Touchscreen



C-Bus® C-Touch Spectrum Colour Touchscreen

The C-Bus C-Touch Spectrum Colour Touchscreen provides a 4.7-inch, touch sensitive LCD colour screen for controlling and monitoring a Clipsal C-Bus system from one location. The C-Touch Spectrum is available in either in-wall or desktop configuration. The in-wall unit connects directly to the C-Bus network using a dedicated, removable phoenix connector located on the rear of the unit. The desktop model connects via an RJ45 connector located on the underside of the base. The C-Bus Spectrum is powered from C-Bus and doesn't require any additional power supply to operate. It is fully compatible with all C-Bus units, such as C-Bus wall switches and dimmers and can be used in existing C-Bus installations. The in-wall model is compatible with hardware such as wall boxes used with the B&W Mk II touchscreen.

The C-Touch Spectrum can be programmed to display pages of graphical items such as buttons, sliders and text arranged on custom pages. These items perform C-Bus functions that include control and monitoring of system-connected devices such as lighting, Multi-Room Audio, thermostats and security. The unit also includes time and date display functionality as well as control through schedules, scenes and event based logic control. The logic includes if-then-else type logic control as well as triggered events from C-Bus and time/date conditions. The C-Bus Spectrum can issue commands triggered by an inbuilt proximity sensor. The proximity sensor can also be used to wake the unit without the need to touch the screen, or as a snooze function on a bedside installed unit. The C-Touch Spectrum also includes an infrared receiver that receives control commands from compatible hand-held infrared remote control units.

The C-Touch Spectrum is programmed using Microsoft Windows® compatible PICED configuration software, freely downloadable from the Clipsal Integrated Systems Website. The programming PC is connected to the C-Touch Spectrum using a USB connection. The programming connection is located behind the fascia of the in-wall model and on the side of the desktop model. The USB connection can also serve as a PC interface for programming of the C-Bus units using C-Bus Toolkit software.

The in-wall model includes quick-fixing wing retainers for installing the touchscreen into a plasterboard wall without the need for mounting brackets or backing plates. The desktop model includes mounting holes under the base to accommodate permanent fixing to solid surfaces.

The logic version of the C-Touch Spectrum has a 3.5mm socket that operates as an RS-232 connection for serial connection to third-party pieces of equipment. The connection is located on the back of the in-wall model and on the underside of the base of the desktop model.

The in-wall model is available in a range of fascia styles that include Saturn, Neo, Metal Plate and Plastic Plate. The desktop model is available in black, white and grey plastic.

The screen of the desktop model rotates 45° horizontally and from 10° to 45° (from vertical) in the vertical plane.

clipsal.com/cis

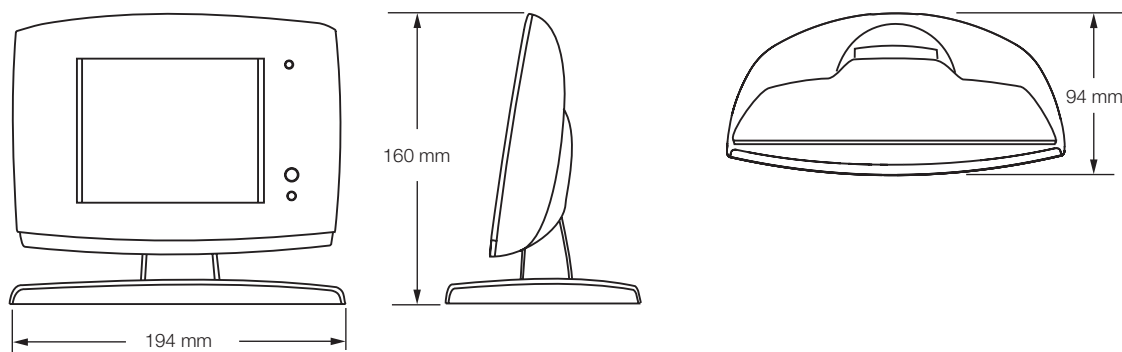
C-Bus® C-Touch Spectrum Colour Touchscreen

Specifications

Parameter	Description
Display type	4.7" (119mm) CSTN LCD, 320 x 240 pixels 65,536 colours
Display luminance	120 cd/m ²
Viewing angle	Left to right 50° Up: 70° Down: 40° The desktop unit has a 45° backward angle of tilt from vertical and a rotation angle of 45° from centre.
Backlight type	White LED with proximity sensor (the proximity feature can be switched off).
Touch surface durability	1 million presses (typical)
C-Bus supply requirement	15 to 36V d.c. @ 75mA required for normal operation. Does not provide current to the C-Bus network.
C-Bus connection type	In-wall: 4-wire terminal block (phoenix type) Desktop: single RJ-45 connection

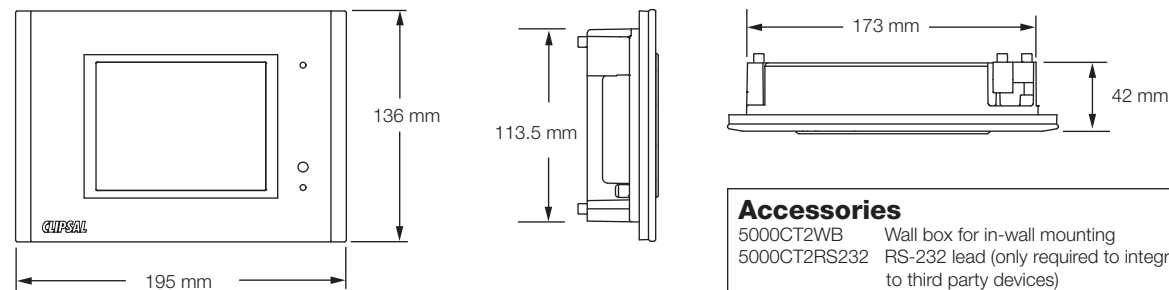
Parameter	Description
a.c. impedance	13kΩ @ 1 kHz
Maximum number of controlled loads	255 group addresses on each of 10 applications.
Network clock	Software selectable
Network burden	Software selectable
Programming port	In-wall: USB type B on front, behind fascia Desktop: USB type B on upper side of fascia
Third-party interface	RS-232 port (logic engine models only)
RS-232 connection type	3.5 mm stereo socket
Warm-up time	< 10 seconds
Operating temperature	0 to 40° C (32 to 104° F)
Operating humidity	10 to 90% RH, non-condensing

Desktop



In-Wall Mounted

Shown: 5080CTL2 with Saturn fascia attached.



Accessories

5000CT2WB Wall box for in-wall mounting
5000CT2RS232 RS-232 lead (only required to integrate to third party devices)

Clipsal Australia Pty Ltd

A member of Schneider Electric

Head Office

33-37 Port Wakefield Road,
Gepps Cross, South Australia 5094

PO Box 132, Enfield Plaza
South Australia 5085

Internet: <http://clipsal.com/cis/>
E-mail: cis.support@clipsal.com.au

CIS Technical Support Hotline:

Australia 1300 722 247
New Zealand 0800 888 219

Contact us at:

<http://www.clipsal.com/feedback>

International Sales and Marketing

E-mail: export@clipsal.com.au

clipsal.com/cis

New Zealand

Schneider Electric (NZ) Ltd Tel +64 9 829 0490

Malaysia

Clipsal Integrated Systems (M) Sdn Bhd
Tel +60 3 7665 3555

Singapore

Clipsal Integrated Systems Pte Ltd
Tel +65 6415 3232/3233

China

Clipsal China Limited
Tel +86 755 8237 5959

Greece

Schneider Electric AE Tel +30 69 4646 3200

Hong Kong

Clipsal Integrated Systems (HK) Limited
Tel +852 2487 0261

India

Schneider Electric India Pvt Ltd
Tel +91 11 5159 0000

Indonesia

PT Clipsal Graha Nusa Tel +62 21 630 6430

Korea

Clipsal Korea Co. Ltd Tel +82 549 5550

Pakistan

Clipsal Pakistan (Pvt) Ltd Tel +92 21 506 7278

Philippines

Clipsal Philippines Inc. Tel +632 683 0275-78

South Africa

Clipsal South Africa (Pty) Ltd Tel +27 11 314 5200

Taiwan

Clipsal (Taiwan) Co Ltd Tel +886 2 2558 3456

Thailand

Clipsal Thailand Ltd Tel +66 2 952 5338-42

United Arab Emirates

Clipsal Middle East Tel +971 6 5570 777

United Kingdom

Clipsal Integrated Systems
c/o Schneider Electric Tel +44 870 608 8 608

Vietnam

Clipsal - VTEC Tel +848 856 3002

You can find this data sheet and many others online in PDF format at: clipsal.com

The information in this data sheet is provided in good faith. Schneider Electric has endeavoured to ensure the relevance and accuracy of the information. It assumes no responsibility for any loss incurred as a result of its use.

♻️ printed on recycled paper

Copyright 2010 Schneider Electric. All rights reserved