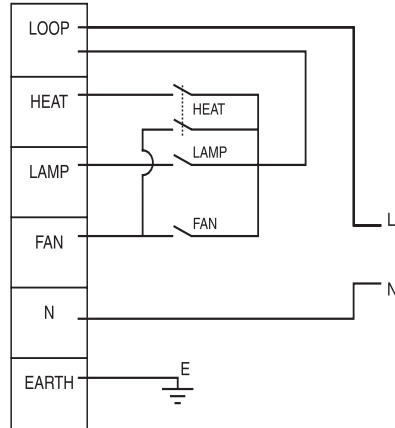


Wiring

The 7500ATP requires a 240 V a.c. 50 Hz electrical supply, and comes with all required wall and architrave mounting, switch plates and switches.



- 1 Decide the best position for the switch set and mount it. Be sure to click the switches into the backing plate in the desired order beforehand.
- 2 Connect wiring switches as shown in the electrical diagram.
- 3 Remove the electrical terminal cover on your unit and wire according to the label beside the terminal strip. Once the wires are connected, incoming cable must not be fouled by cover. Remove cut-out portion as required and replace the cover.

Spare Parts

- Electrical switches supplied with your Clipsal 3-in-1 are usually available from any electrical wholesaler.
- **Centre Globe:** The centre globe can only be replaced with an R80 8 W LED reflector globe.
- **Heat Globes:** The heat globes can only be replaced with R125 275 W heat reflector globes.

Technical Information

Voltage	240 V a.c. 50 Hz only
Wattage	1140 W–1240 W
Fan Max. Air Movement	125 m ³ /hr (3 m ducting with 90° bend)

Customer care—Australia

We warrant this product for 2 years. For details, visit:
<https://www.schneider-electric.com.au/en/about-us/legal/terms-and-conditions.jsp>

Our goods also come with guarantees that cannot be excluded under the Australian Consumer Law. You are entitled to a replacement or refund for a major failure and compensation for any other reasonably foreseeable loss or damage. You are also entitled to have the goods repaired or replaced if the goods fail to be of acceptable quality and the failure does not amount to a major failure.

Schneider Electric (Australia) Pty Ltd

Customer Care: 1300 369 233

Email: customercare.au@schneider-electric.com

www.schneider-electric.com.au

Customer care—New Zealand

We warrant this product for 2 years. For details, visit:
<https://www.schneider-electric.co.nz/en/about-us/legal/terms-and-conditions.jsp>

Schneider Electric (NZ) Ltd

Customer Care: 0800 652 999

Email: sales@nz.schneider-electric.com

www.schneider-electric.co.nz



Schneider Electric reserves the right to change specifications, modify designs and discontinue items without incurring obligation and whilst every effort is made to ensure that descriptions, specifications and other information in this catalogue are correct, no warranty is given in respect thereof and the company shall not be liable for any error therein.

© 2017 Schneider Electric.

This material is copyright under Australian, New Zealand and international laws. Except as permitted under the relevant law, no part of this work may be reproduced by any process without prior written permission of and acknowledgement to Schneider Electric.

CLIPSAL
by Schneider Electric

7500ATP

Installation Instructions

Thank you for purchasing this Clipsal product. Please install the product carefully, according to these instructions. Clipsal 3-in-1 products combine an exhaust fan, light and gentle heat in one single unit. All functions switch separately from a supplied switch plate.

Safety, Installation and Operating Requirements

DANGER

HAZARD OF ELECTRIC SHOCK, EXPLOSION OR ARC FLASH

- This product must only be installed and serviced by appropriately qualified and/or licenced electrical personnel.
- Isolate the electrical supply before doing any work on this product.
- Ensure that the product has been correctly installed and tested for safe operation before reconnecting the electrical supply.
- The product must be installed so that the switches and other controls cannot be touched by a person in the bath or shower.

Failure to follow these instructions will result in death or serious injury.

WARNING

RISK OF FIRE AND SERIOUS INJURY

- Do not install the product close to curtains or other combustible materials.
- Do not mount directly below a socket outlet.
- Do not cover the product with insulating or other materials.
- Only install R125 275 W heat reflector globes in the heat cavities of the product.
- Do not install heat reflector globes greater than 275 W in the heat cavities of this product.
- Only install this product in strict accordance with the wiring diagram in these instructions.

Failure to follow these instructions can result in fire and serious injury.

CAUTION

EQUIPMENT OPERATION HAZARDS

- This product is not intended for use by persons (including children) with reduced physical, sensory or mental capabilities, or lack of experience and knowledge, unless they have been given supervision or instruction by a person responsible for their safety.
- Ensure that the switch is in the Off position before changing the centre globe or heat reflector globes.

Failure to follow these instructions can result in injury.

**THIS CARD IS ALSO
YOUR INSTALLATION TEMPLATE**

CAUTION

CLEANING HAZARD

- Ensure that the product is switched off before cleaning.
- Remove heat reflector globes when they are at room temperature. Wipe with a damp cloth. Never immerse the globes in liquid.
- Always use a soft, non-abrasive cloth to clean the product.
- Regularly clean away excess fluff from inside the body, motor, blades and brackets.

Failure to follow these instructions can result in injury and equipment damage.

NOTICE

USAGE HAZARD

- Do not install the product directly over baths or showers or in areas subject to direct splashing.
- Do not leave heat globes on for extended periods of time. For applications where the heat globes may be left on for longer than 20 minutes, it is recommended to install a separate timer to automatically switch off the heat globes.
- The product should not be covered or installed in locations that restrict natural ventilation for cooling purposes.
- Ensure that the product grille is kept free of objects, dust build-up and other matter that may restrict air flow.

Failure to follow these instructions can result in equipment damage or reduced lifespan of components.

NOTICE

INSTALLATION HAZARD

- This product is designed specifically for cavity-type ceilings.
- It is NOT recommended to install this product in flat-roof, raked or cathedral ceilings.
- The heat globes are not designed to heat entire rooms, but rather apply instant, concentrated heat to persons standing directly below the product.
- It is recommended that the ceiling space is adequately ventilated to allow appropriate airflow through the unit. Any restrictions on return air entering the room or exhausted air escaping from the ceiling space will impair effectiveness and may contribute to premature failure.
- A minimum of 250 mm clearance is required above the ceiling where the product is to be installed.
- A minimum of 100 mm clearance is required between the installation location and any ducting in the ceiling space.
- Regulations regarding the discharge of air must be complied with.
- Joists, beams and rafters must not be cut or notched to install the product.

Failure to follow these instructions can result in reduced product performance or equipment damage.

Installation

NOTICE

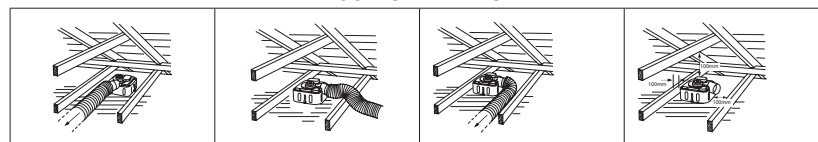
CORRECT INSTALLATION

- Failure to position the lamp surround correctly may cause the heat reflector globes to touch the main body and cause warping.
- The product's centre cavity is designed to accept only **R80 8 W LED reflector globes**.
- Only install **R80 8 W LED reflector globes** in the centre cavity. Do not install any other type of globe as this may cause overheating and subsequent warping of the body.
- The heat cavities have been designed to accept only **R125 275 W LED reflector globes**. Do not install heat reflector globes greater than 275 W.
- Do not force or over-tighten globes.

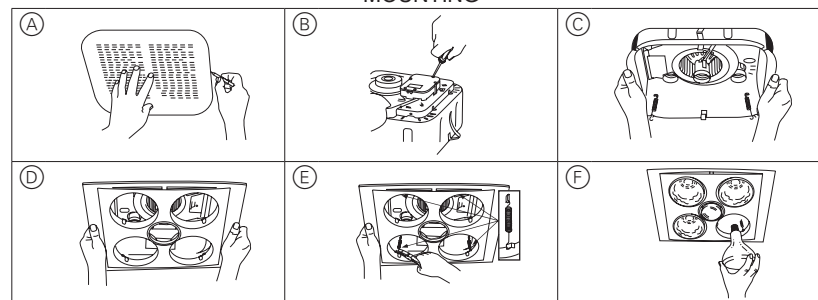
Failure to follow these instructions can result in equipment damage.

Mounting

MAJOR CLEARANCES



MOUNTING



- ① (See diagram (A)) Using this card in its open state as a template, position it in the area you want to place your product and draw around the edges with a pencil to mark the hole cutting size. **BE SURE TO CHECK ABOVE THE CEILING FOR MINIMUM SPACE OF 250 mm OR MORE CLEARANCE FOR THE FLEXIBLE DUCTING AND THE LOCATION OF THE CEILING JOISTS.**
- ② Joists, beams and rafters shall not be cut or notched to install the appliance.
- ③ Use a saw to cut the section along the drawn lines.
- ④ Remove the two (2) screws and terminal cover to access the terminal block (see diagram (B)). The 7500ATP uses screw-less spring-type mounting clips to support the product on the ceiling. Before trying to install the product into the hole, unclip the lamp surround from the main body by disconnecting four (4) springs. Remove the lamp surround and the globes to avoid damage from knocks and vibrations. Insert the product through the hole (see diagram (C)) and ensure the spring-type mounting clips support the product on the ceiling.
- ⑤ Terminate the cables to the 7500ATP and then replace the terminal block cover.
- ⑥ Reattach the lamp surround by reconnecting the four (4) springs (see diagrams (D) and (E)). The lamp surround has been designed to position heat globes correctly in the main body. Failure to position the lamp surround correctly may cause heat globes to touch the main body and cause warping. Screw the centre light globe into place. This product is designed to accept only R80 8 W LED reflector globes.
- ⑦ (See diagram (F)) Screw the four (4) large heat reflector globes through the lamp surround holes, tightening firmly to ensure a good electrical contact. Use only R125 275 W heat reflector globes as supplied with the product.