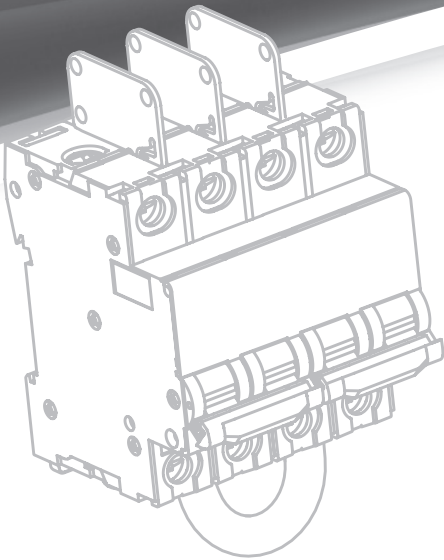


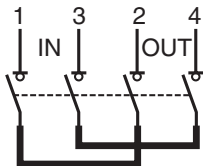
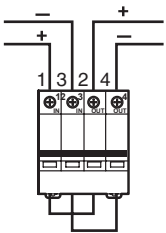
Isolating Switch 1000V d.c. 50A 4SW1000/6DC

Installation Instructions



This is a 2 pole isolating switch for DC appliances up to 1000Vdc at 50A. The green strip indicates that the contacts are open and allows the user to perform operations on the downstream circuit in complete safety. It can be locked (by a padlock) in OFF position to ensure safety during maintenance operation.

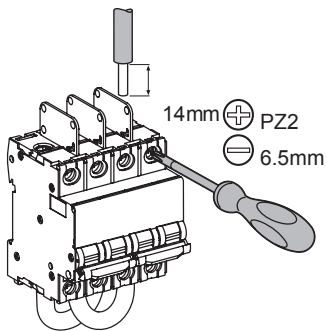
Wiring



The 4SW1000/6DC is a pre-wired product: the input and output are on the same side. This device is not polarity sensitive: (+) and (-) wires can be inverted without any risk.

Since a fault current can flow in the reverse direction to the normal operating current, the 4SW1000/6DC can switch a multi-directional current.

* Required to have a 9mm space isolation in each side.



Rating	Tightening torque	Without accessories		With accessories		Multi-cables terminal	
		Copper cables UL 486A file no. #E216919	50mm ² Cu/Al Terminal	Screw on connection for ring terminal	Rigid cables	Flexible cables	
		Rigids	Flexibles with ferrule				
50A	3.5Nm	1 to 35mm ²	1 to 25mm ²	50mm ²	∅ 5mm	3 x 16mm ²	3 x 10mm ²

For the safe and correct operation of this device, please consult the prevailing standards installation regulations, when installing 4SW100/6DC

Technical Data

Operating voltage (Ue)	20A: 1000Vdc	
	32A: 800Vdc	
	50 A: 700Vdc	
Rated insulation voltage (Ui)	1000Vdc	
Rated operational current (Ie)	50A	
Impulse voltage (Uimp)	6kV	
Permissible rated short-time withstand current (Icw)	600A	
Rated short-circuit closing current (Icm)	1kA	
Number of poles	2	
Number of modules of 9mm	8	
Tropicalisation	Relative humidity: 95% at 55°C in accordance with IEC 60068-2 and GB 14048.2 Standards	
Temperature	Operating	-25°C to 70°C
	Storage	-40°C to 85°C
Standards	IEC 60947-3 EN 60947-3	

Warranty

Refer to Clipsal's Trade Product Guide for standard Terms and Conditions.

Remember to test regularly.

This product may be installed, connected and used in compliance with prevailing standards and/or installation regulations. As standards, specifications and designs change from time to time, always ask for confirmation of the information given in this publication.

Schneider Electric (Australia) Pty Ltd

Contact us: clipsal.com/feedback

National Customer Care Enquiries:

Tel 1300 2025 25 Fax 1300 2025 56

clipsal.com

Schneider Electric (Australia) Pty Ltd reserves the right to change specifications, modify designs and discontinue items without incurring obligation and whilst every effort is made to ensure that descriptions, specifications and other information in this catalogue are correct, no warranty is given in respect thereof and the company shall not be liable for any error therein.

© 2012 Schneider Electric. All Rights Reserved.

Trademarks are owned by Schneider Electric Industries SAS or its affiliated companies.