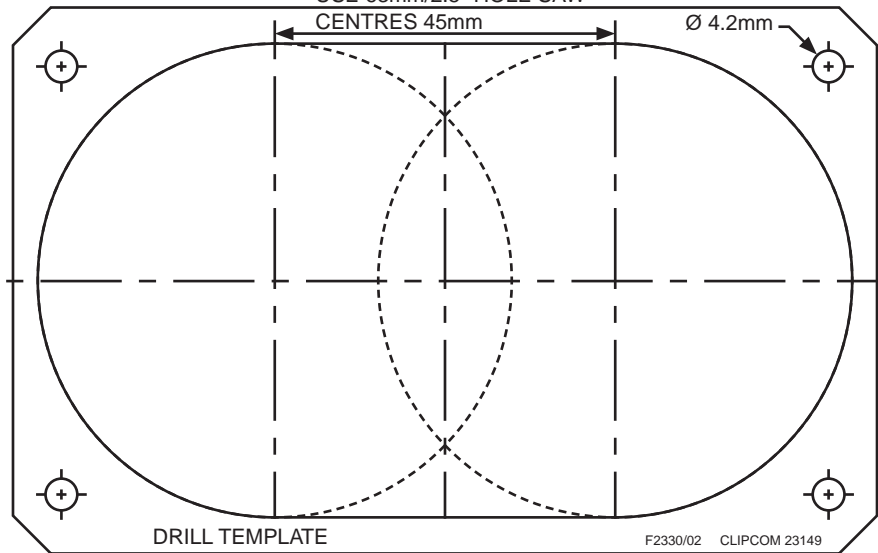


USE 63mm/2.5" HOLE SAW

CENTRES 45mm

Ø 4.2mm



DRILL TEMPLATE

F2330/02 CLIPCOM 23149